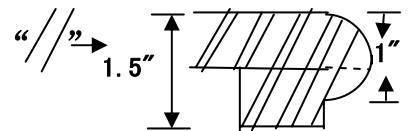
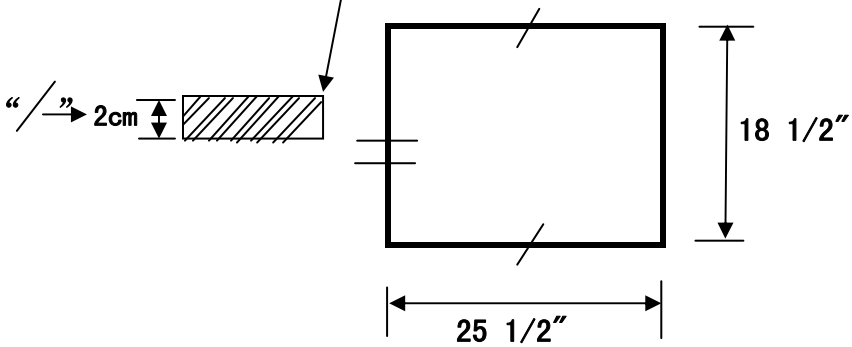


"/" means 20mm flat polisehd
R=1/16"



"//" means 40mm laminated
bullnose