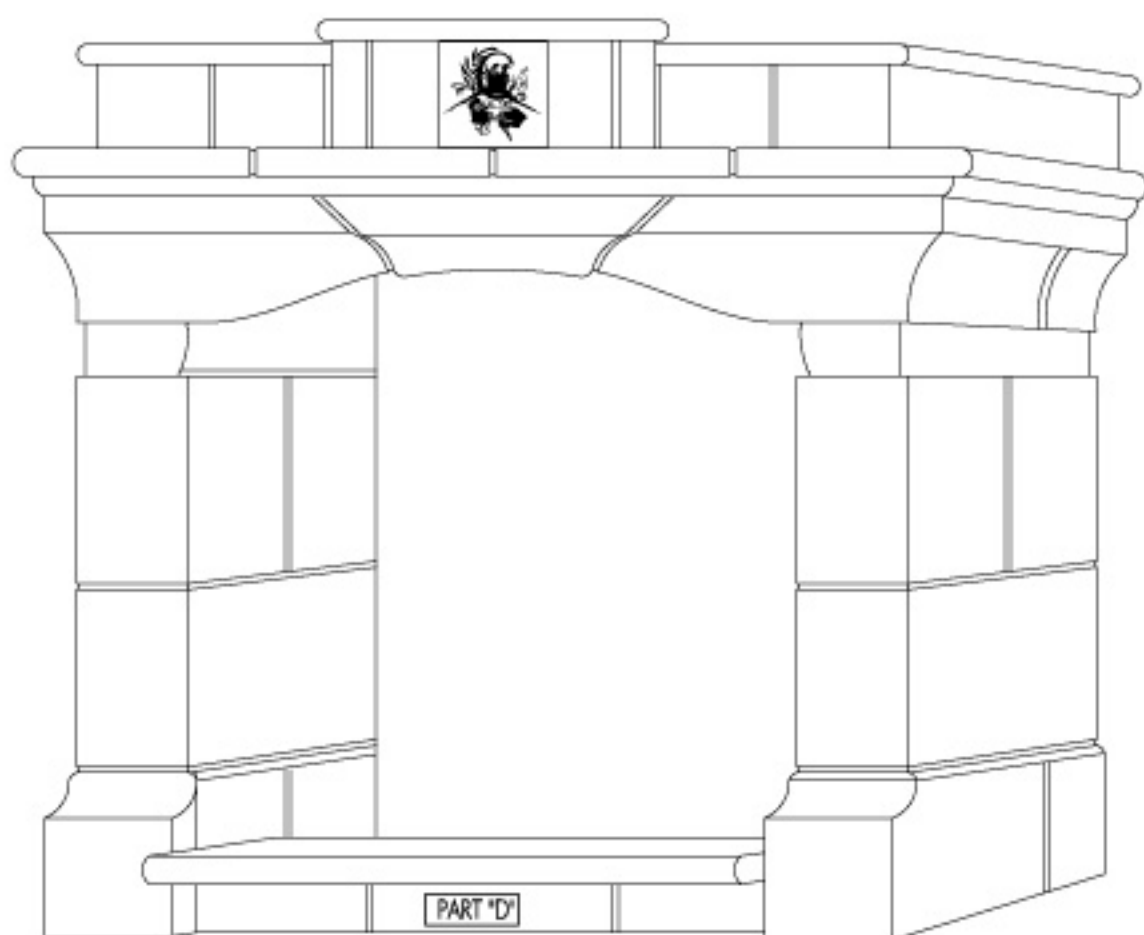
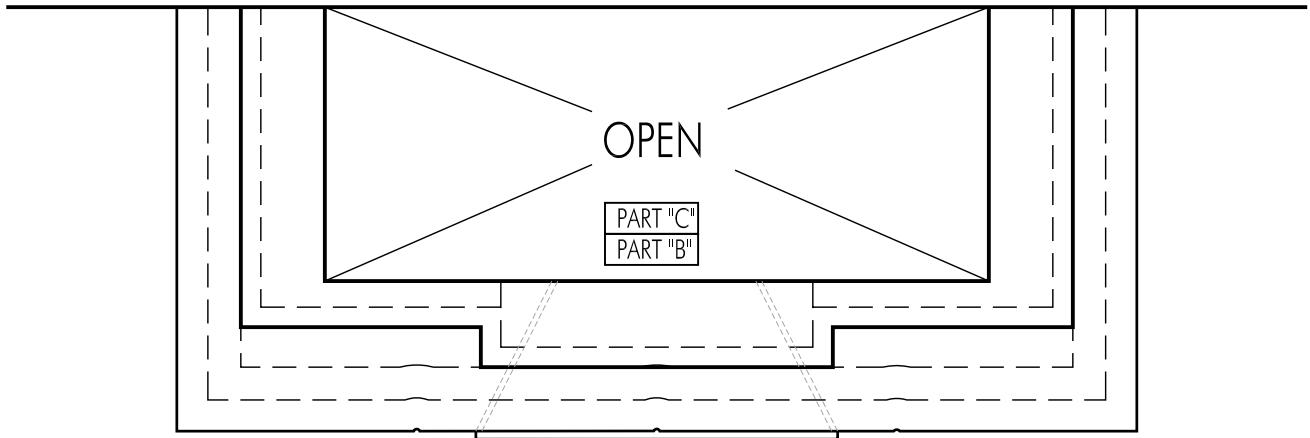


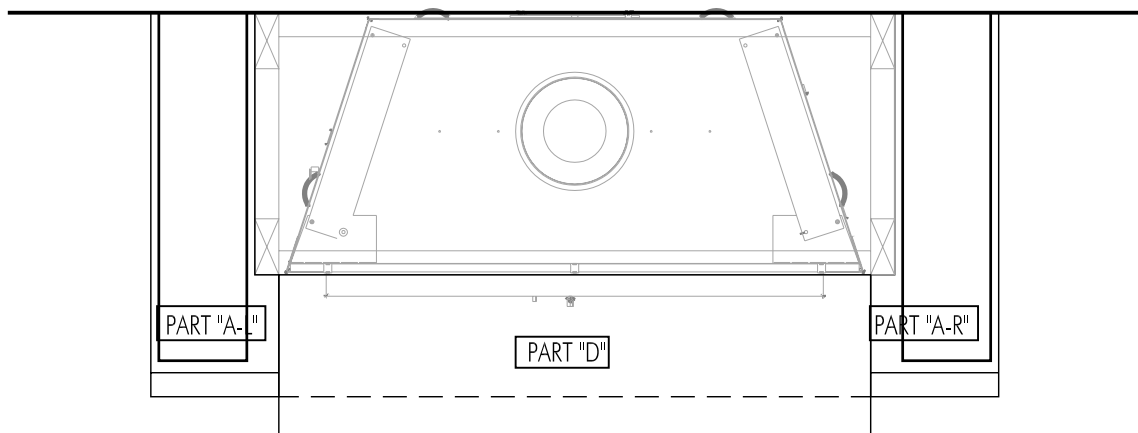
# SANDSTONE FIREPLACE SURROUND TYPE #3

TYPICAL UNIT LIVING AREA FIREPLACES.  
UNITS AA-HH.  
(13 TOTAL SURROUNDS)

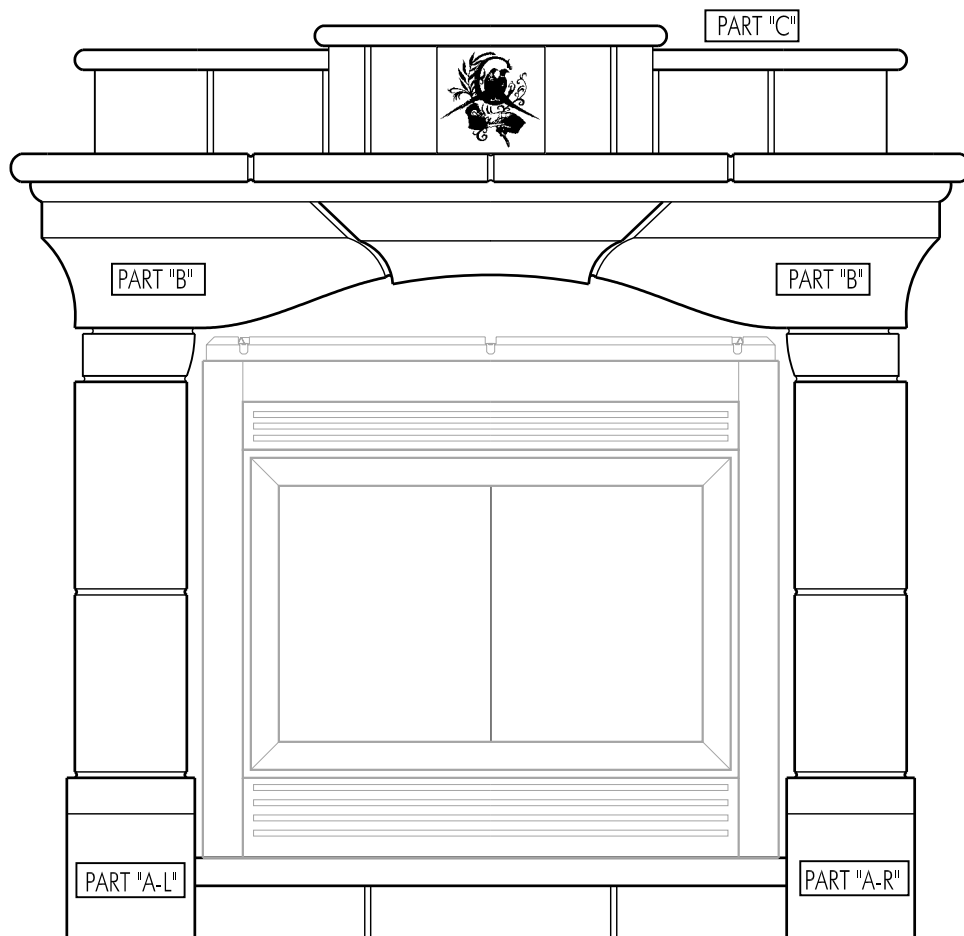




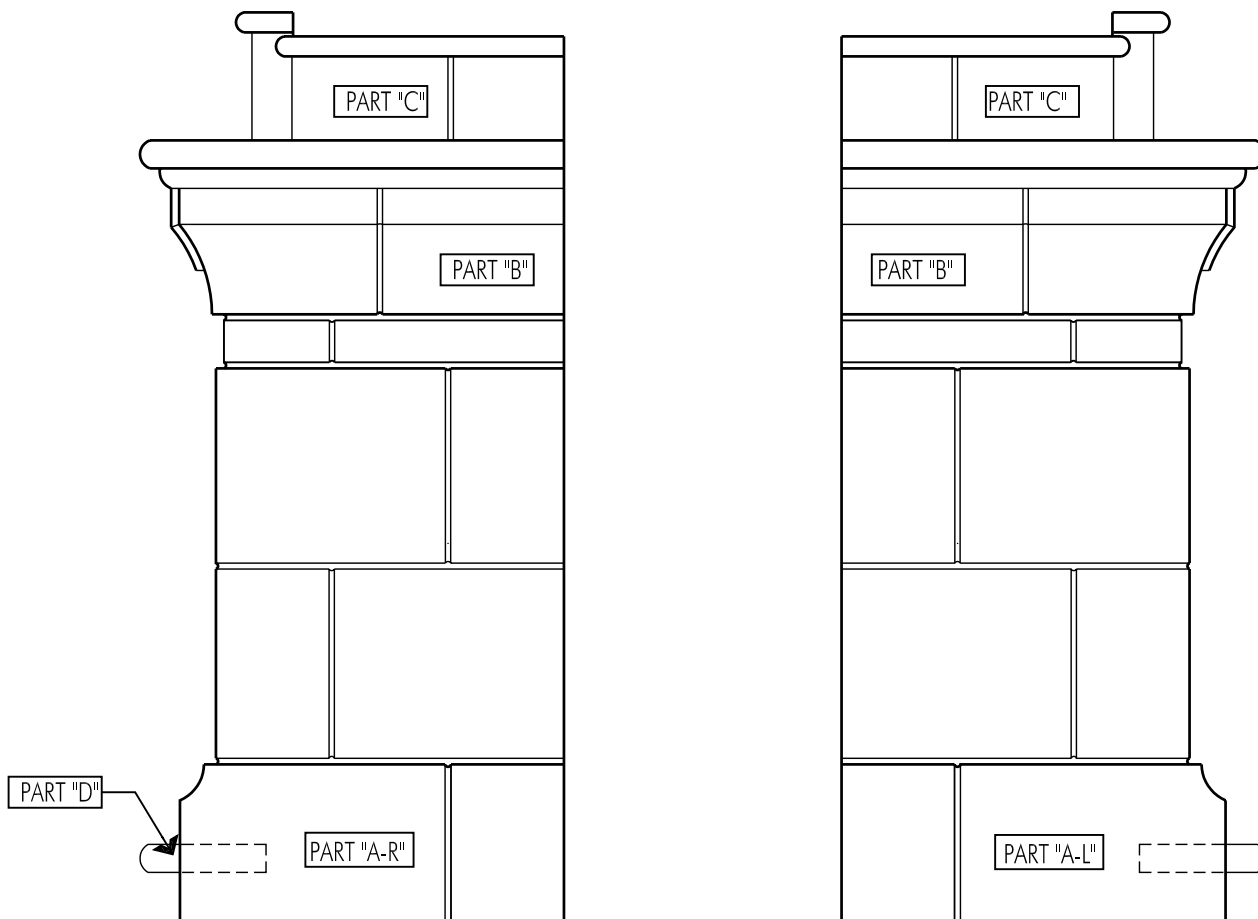
MANTEL PLAN



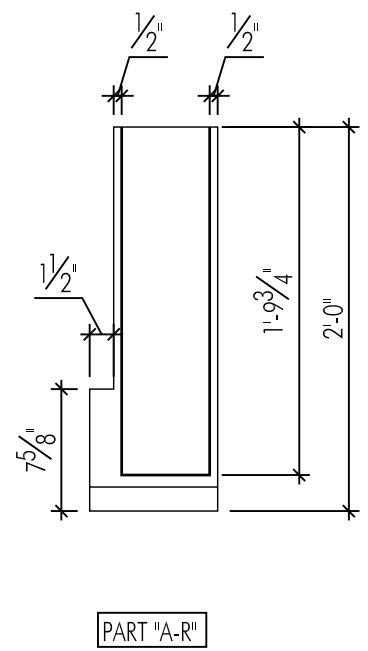
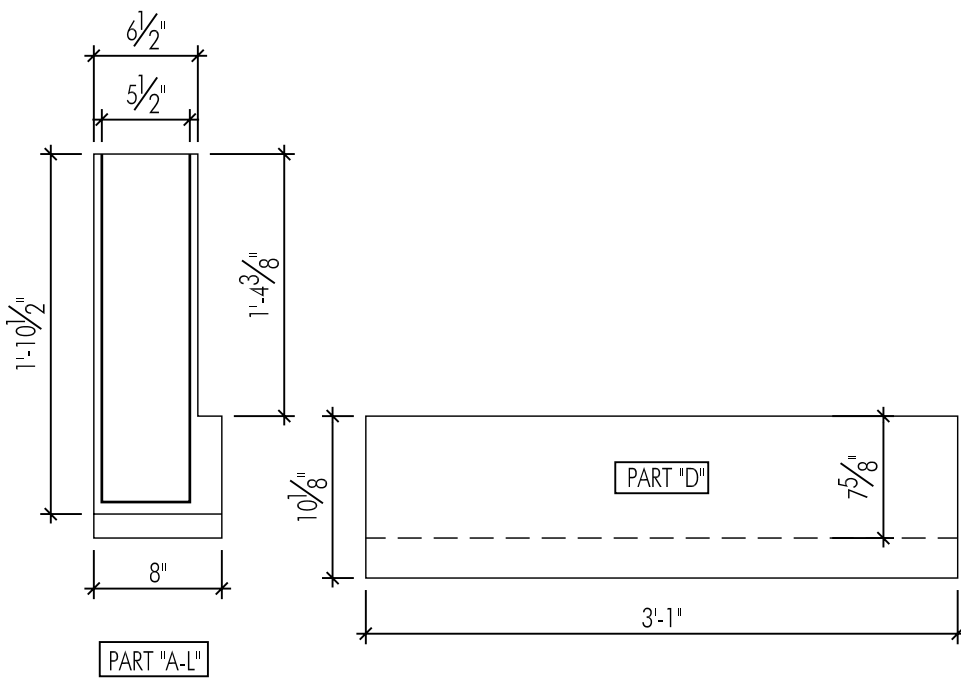
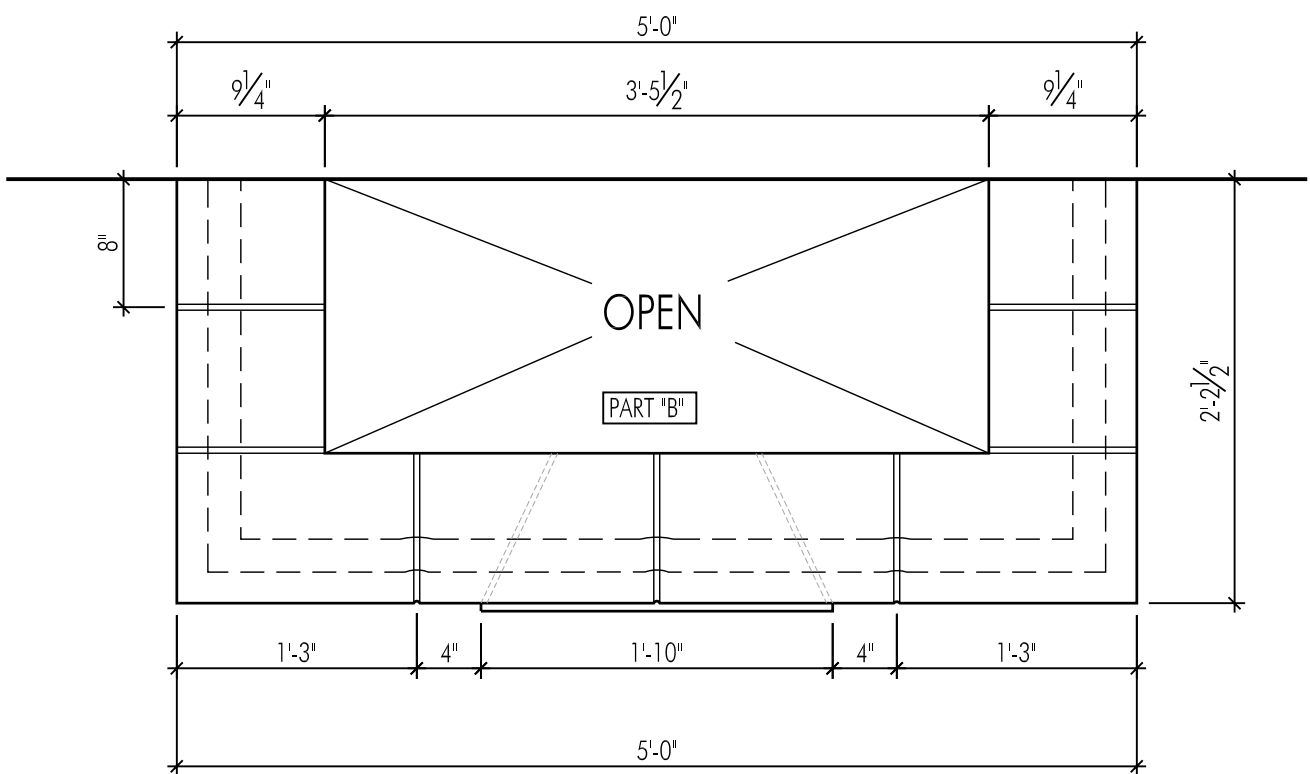
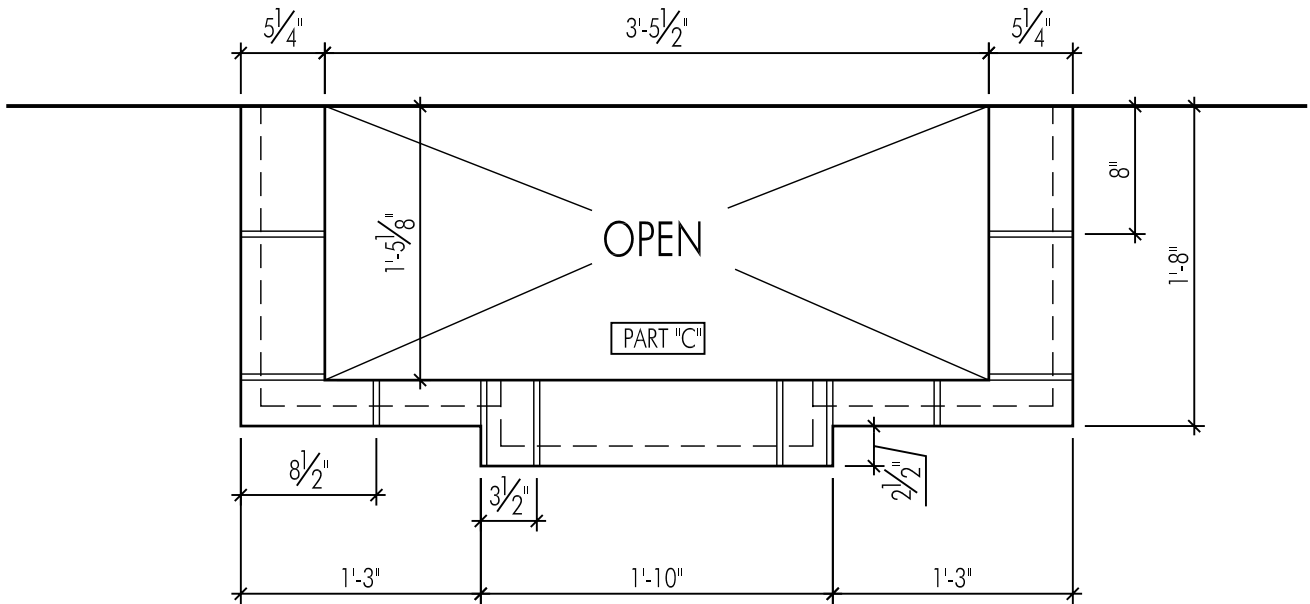
BASE AND LOWER PLAN



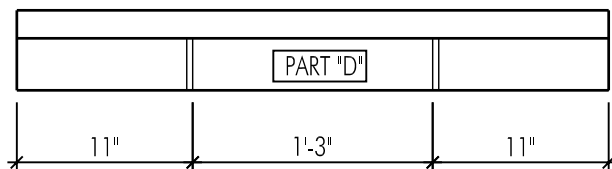
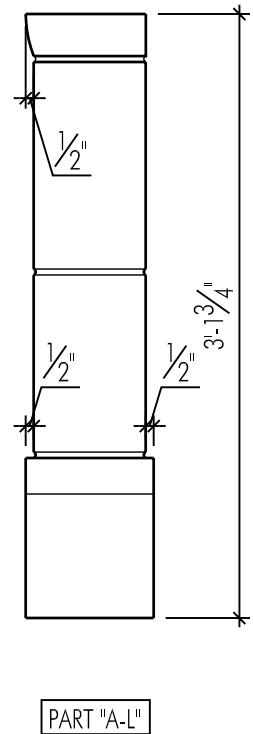
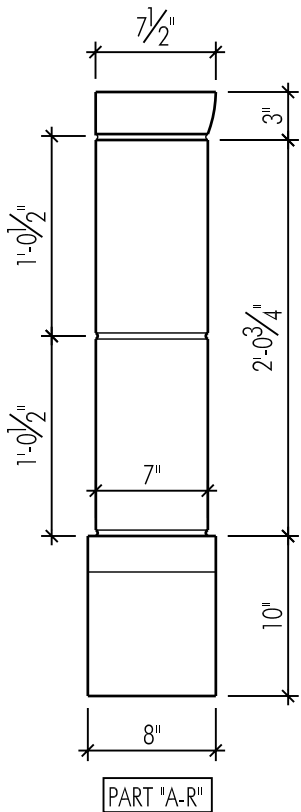
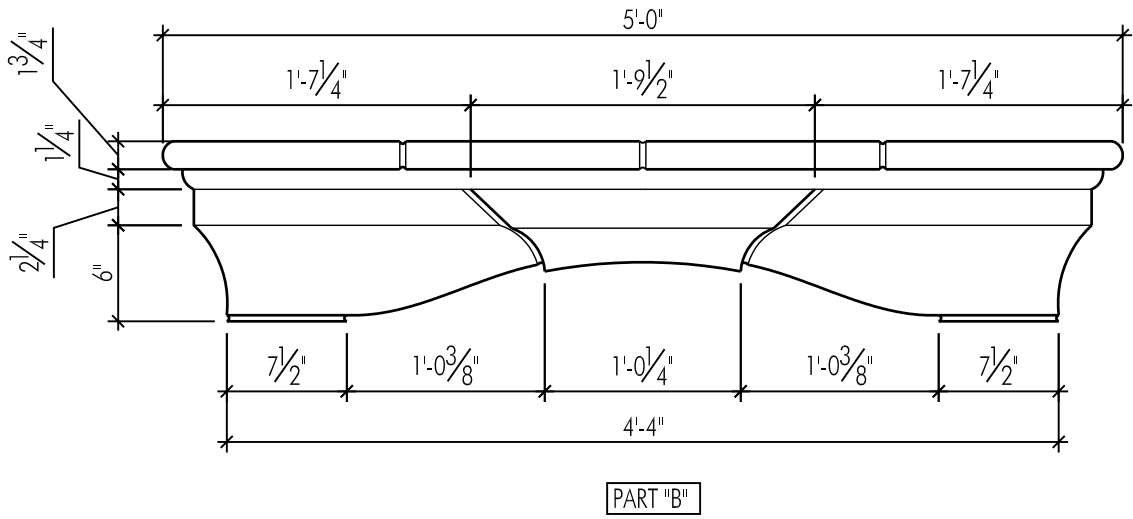
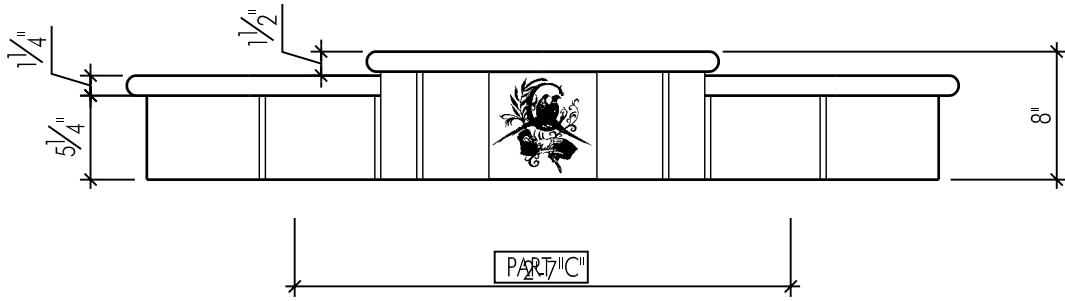
FRONT ELEVATION



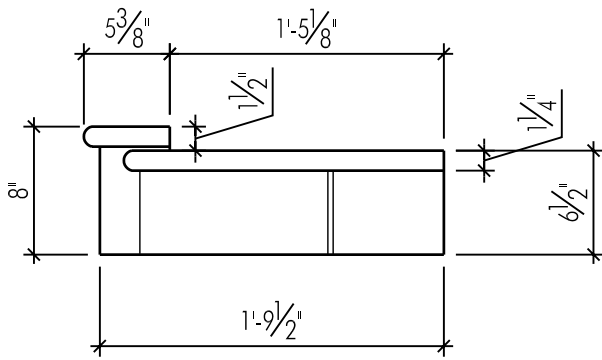
LEFT AND RIGHT SIDE ELEVATIONS



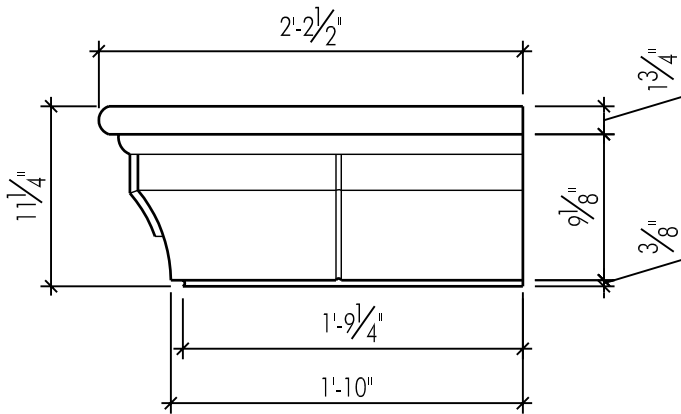
EXPLODED PLAN VIEWS



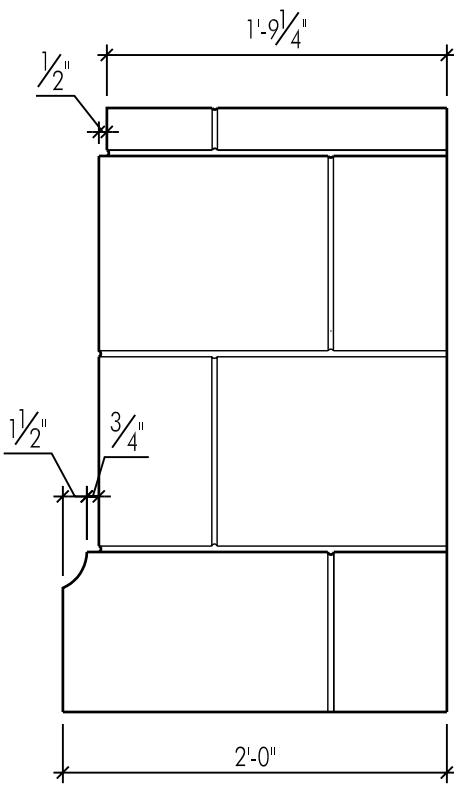
EXPLODED FRONT ELEVATION VIEWS



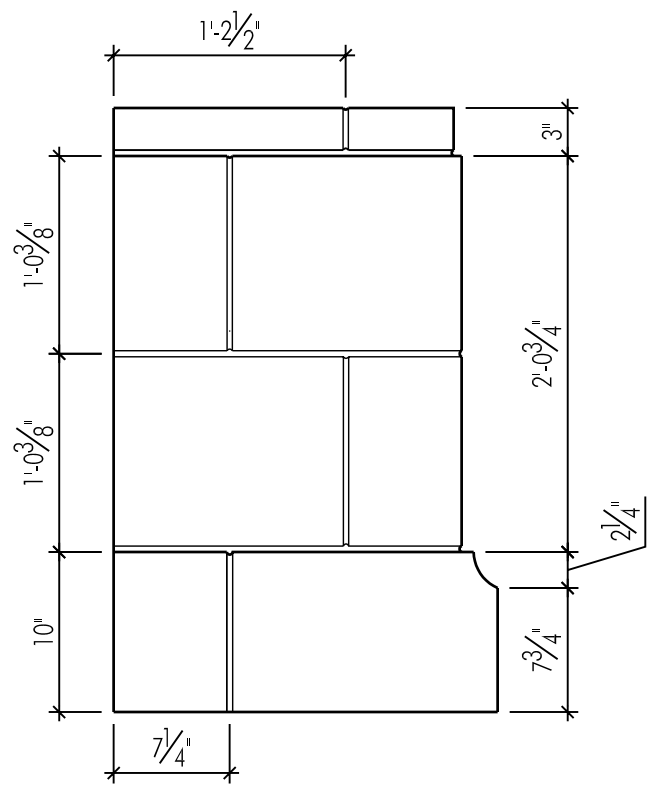
PART "C"



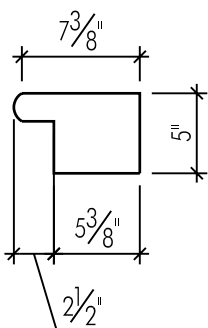
PART "B"



PART "A-R"



PART "A-L"



PART "D"

EXPLODED SIDE ELEVATIONS VIEWS