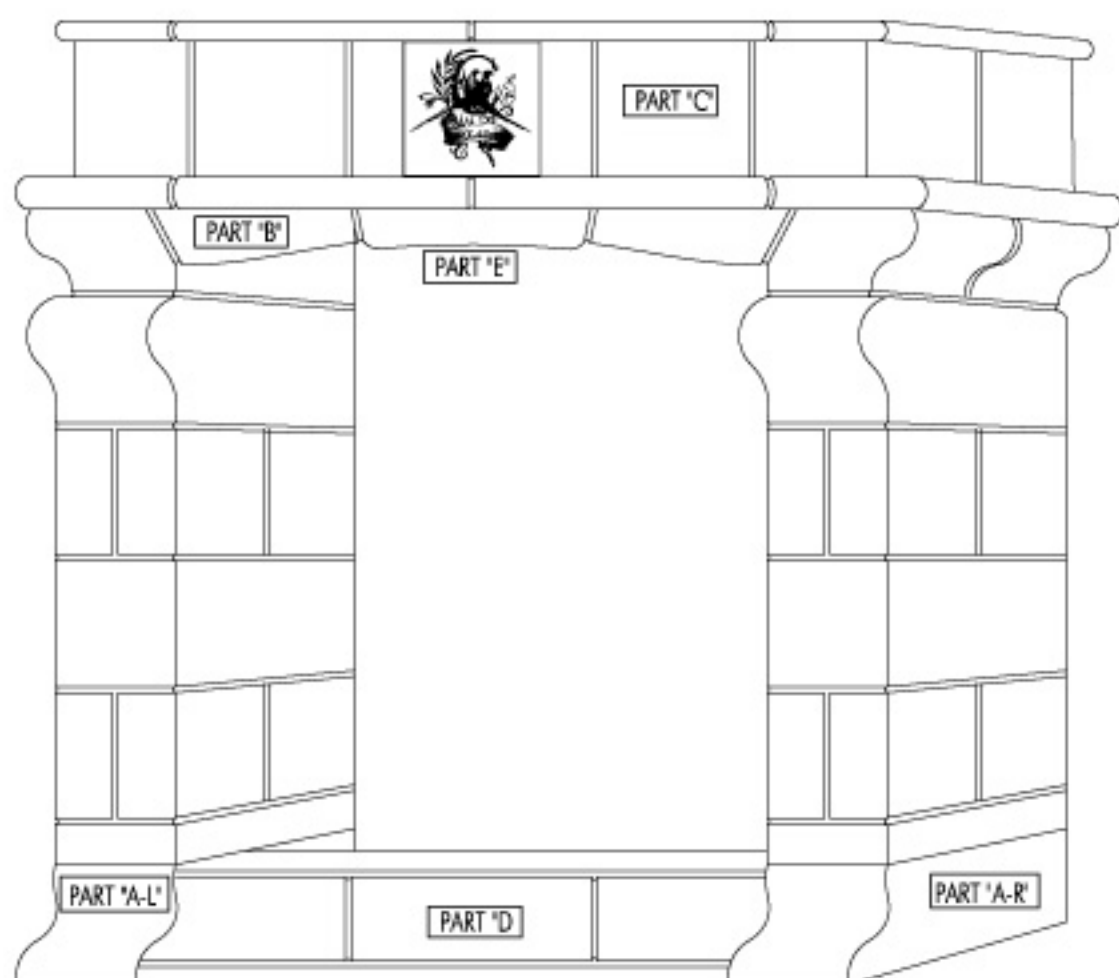
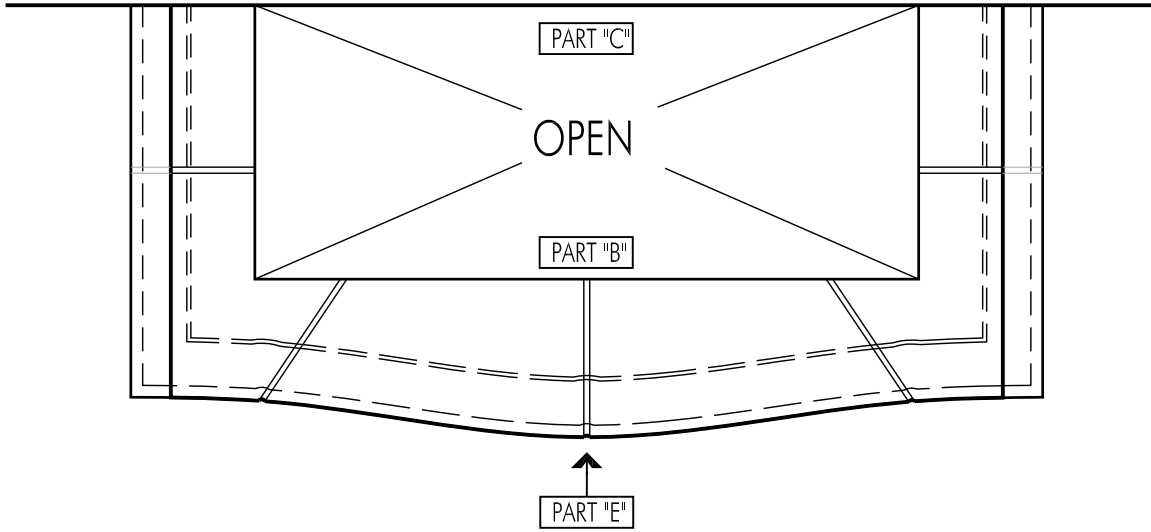


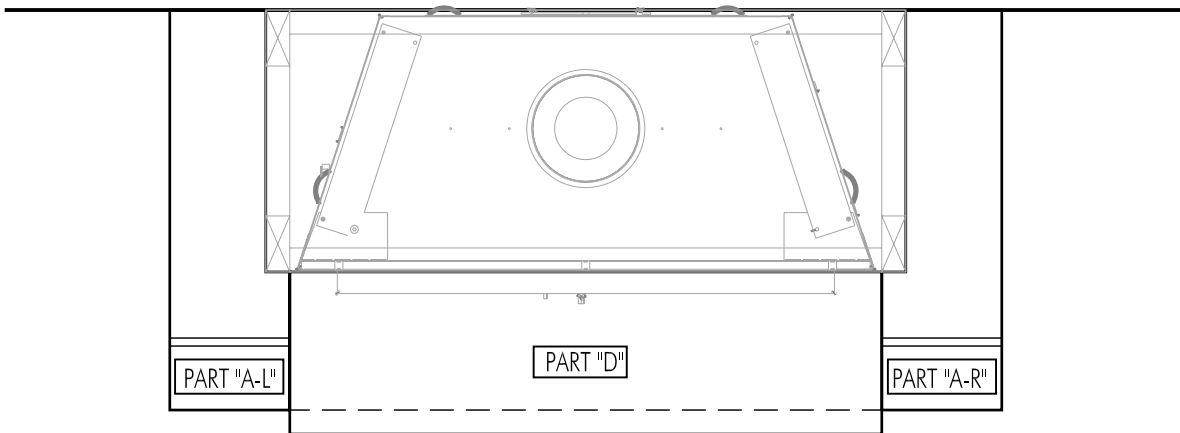
SANDSTONE FIREPLACE SURROUND TYPE #2

PENTHOUSE BEDROOM FIREPLACES.
UNITS JJ #304, KK #305 & LL #401.
(5 TOTAL SURROUNDS)

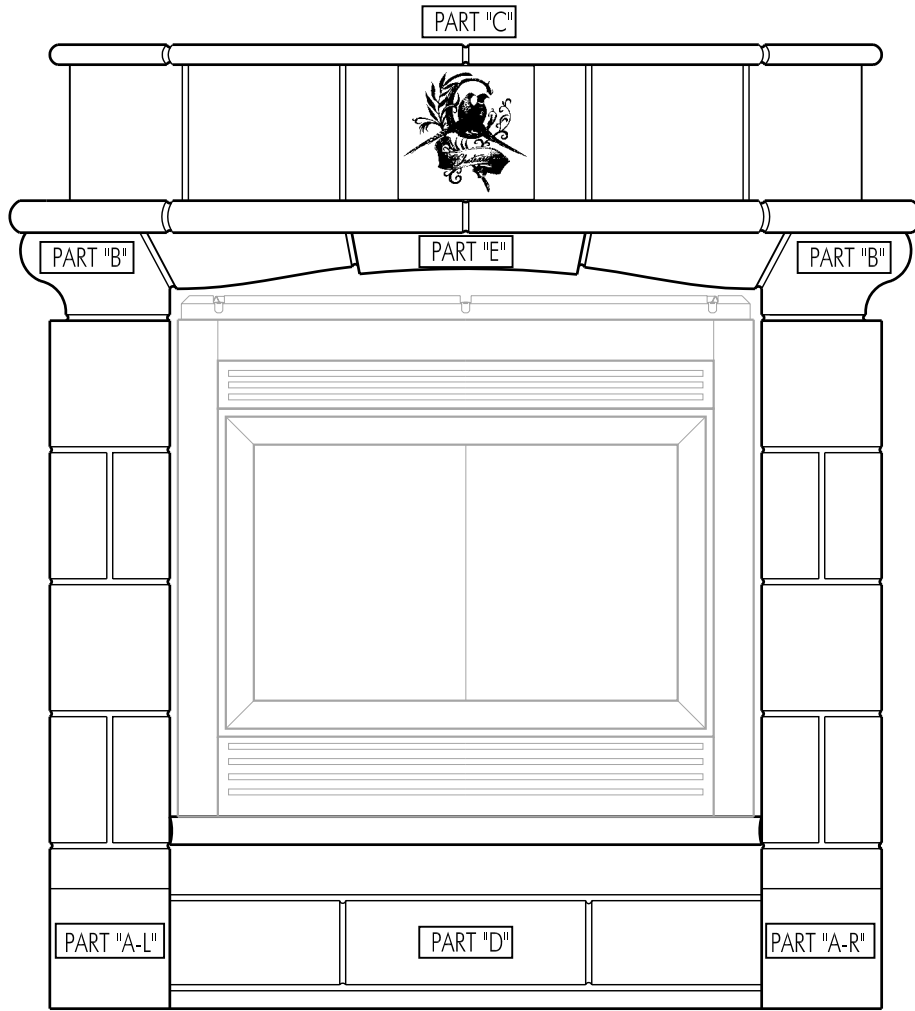




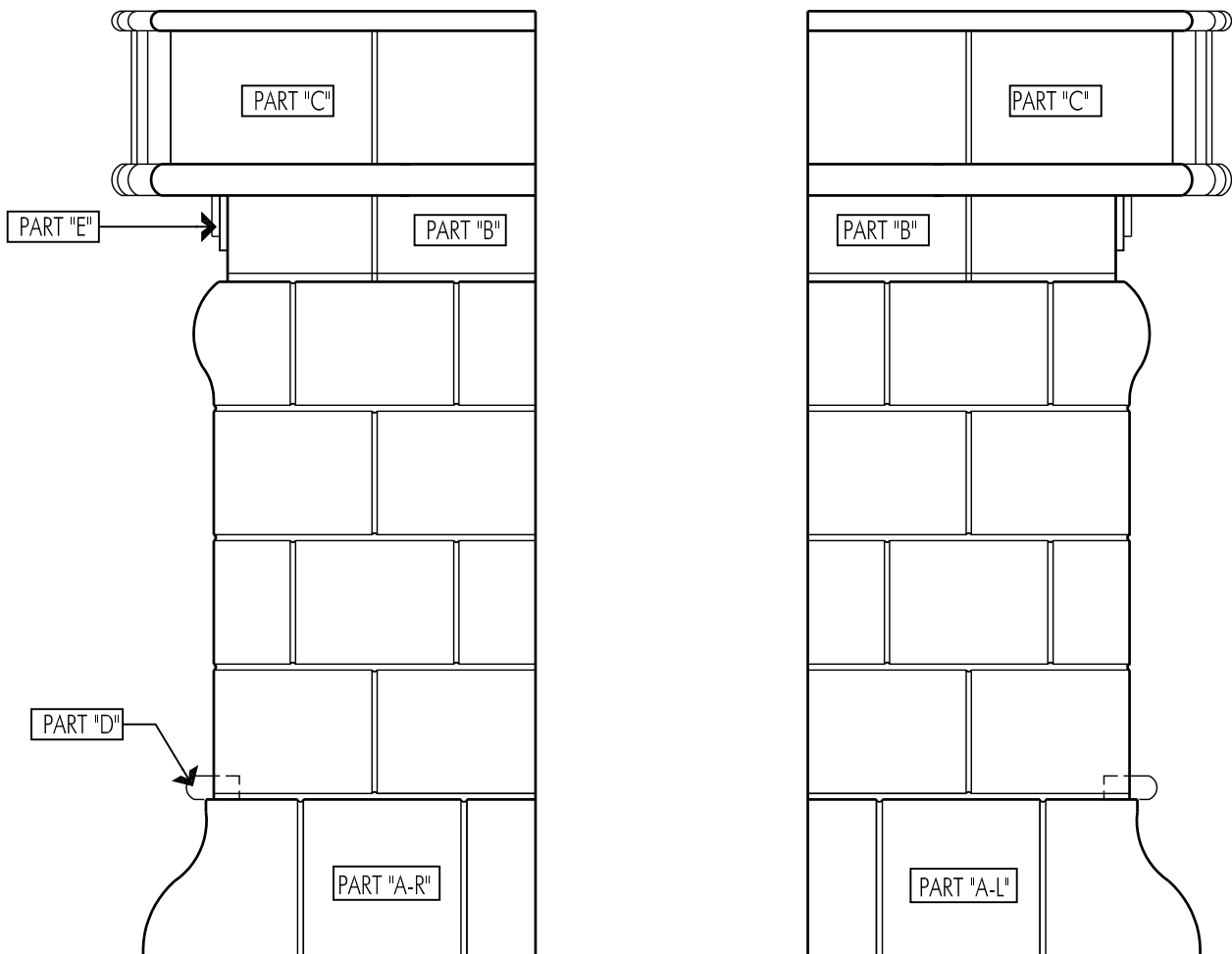
MANTEL PLAN



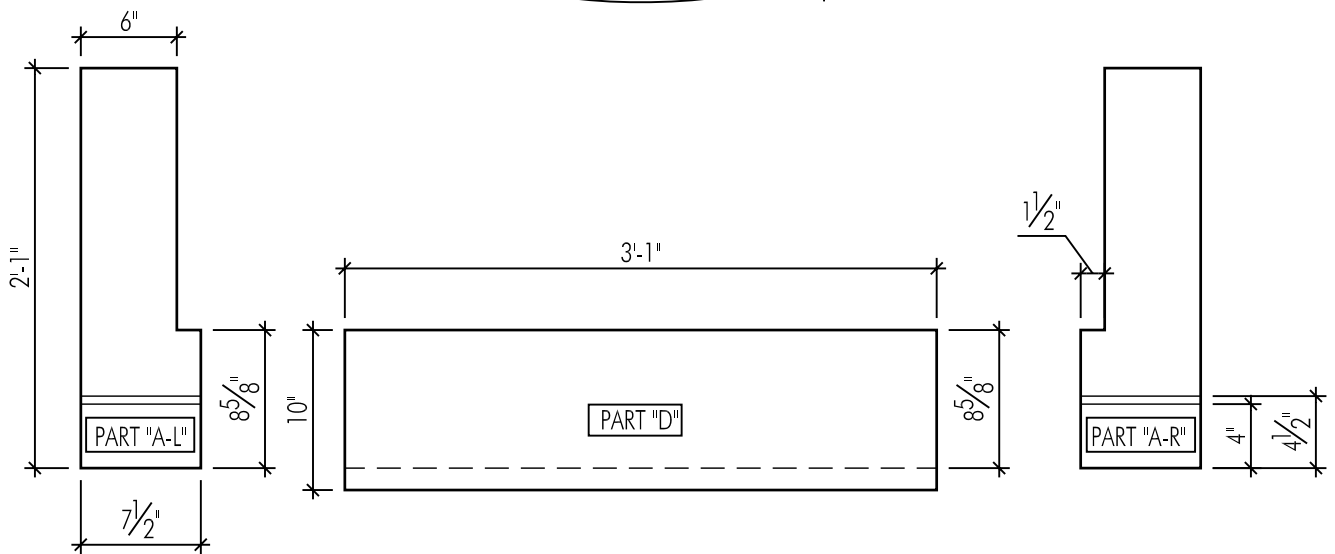
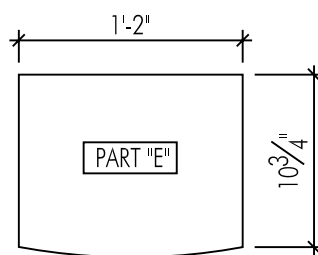
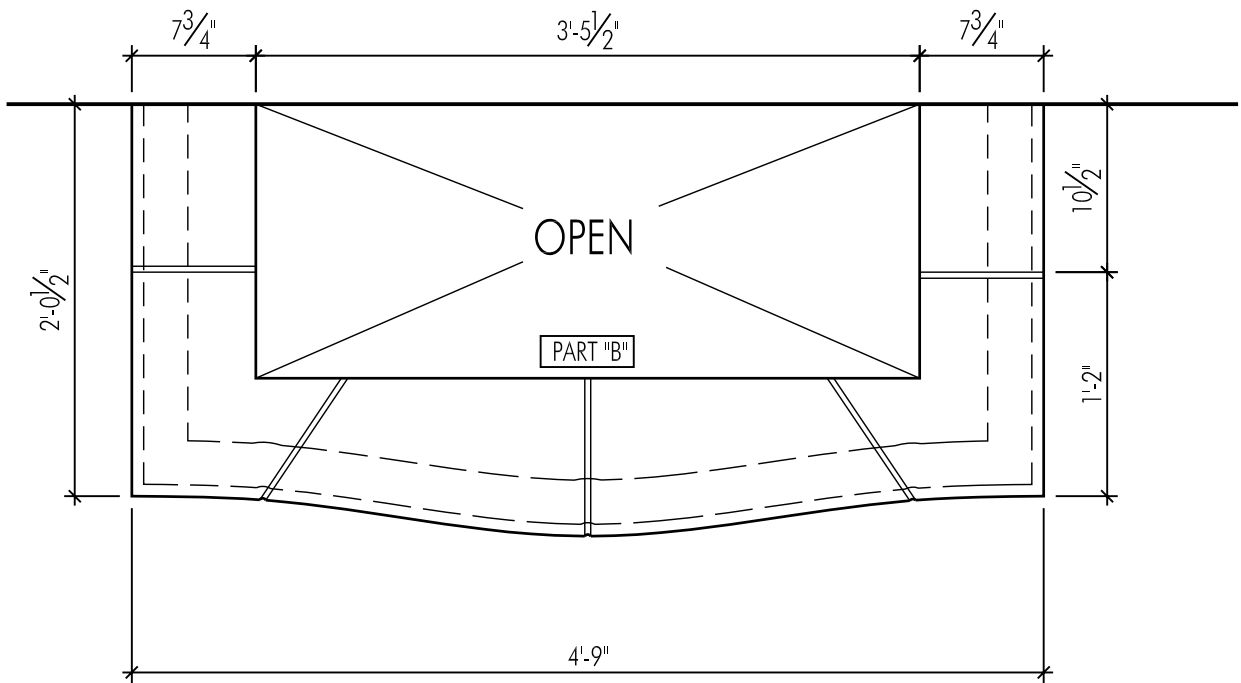
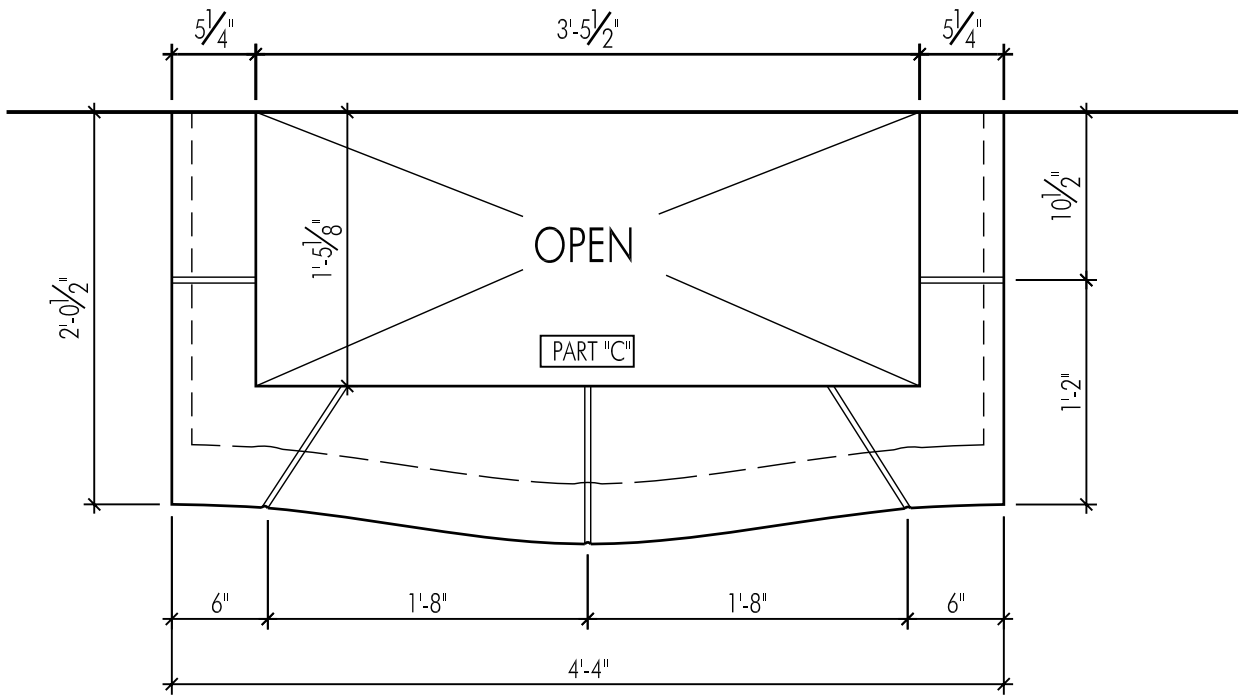
BASE AND LOWER PLAN



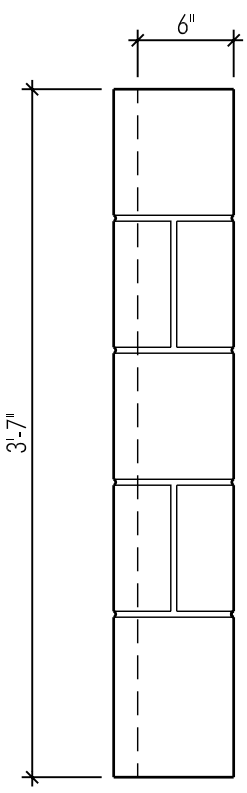
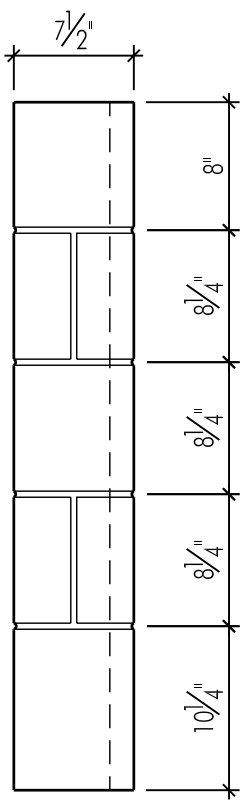
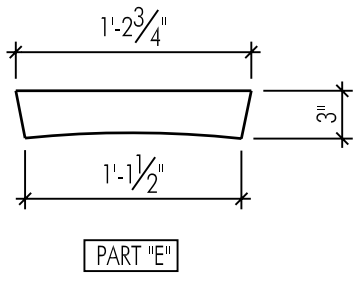
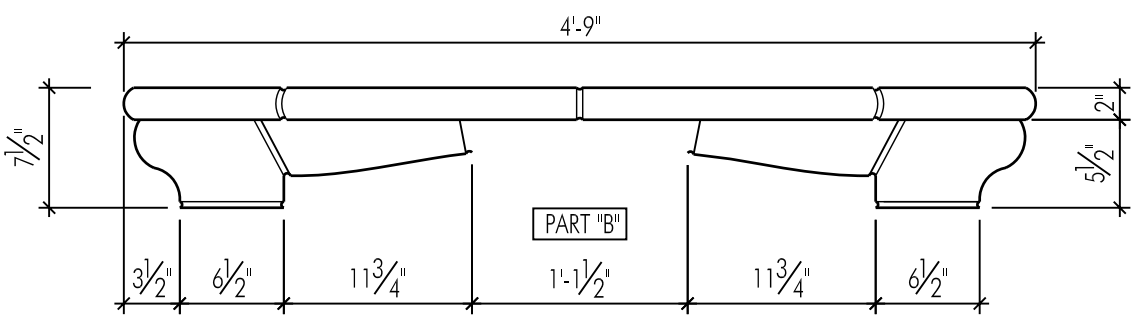
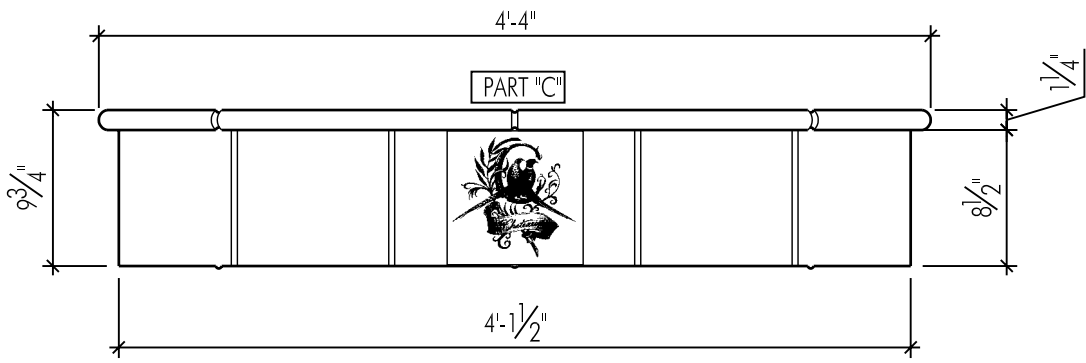
FRONT ELEVATION



LEFT AND RIGHT SIDE ELEVATIONS

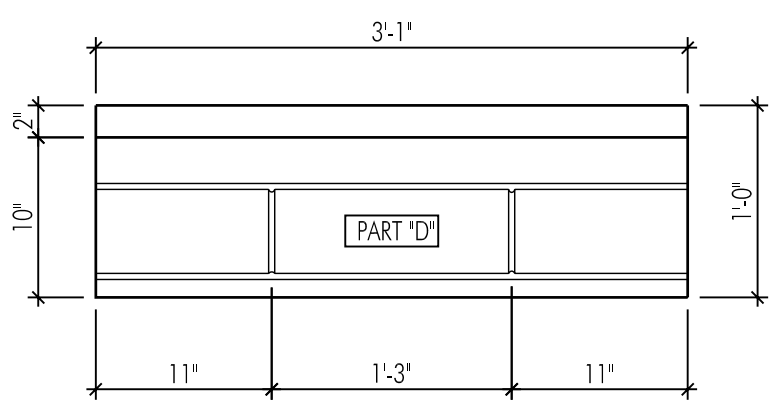


EXPLODED PLAN VIEWS

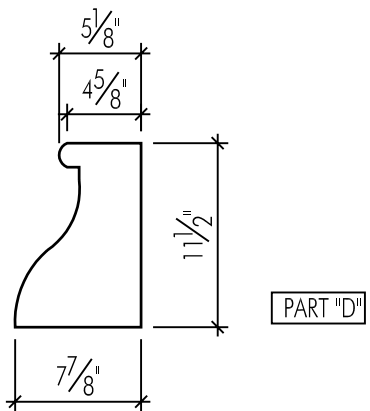
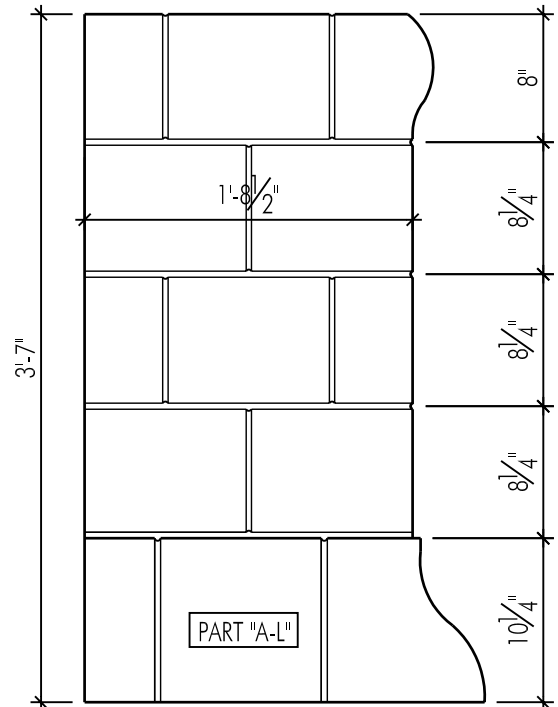
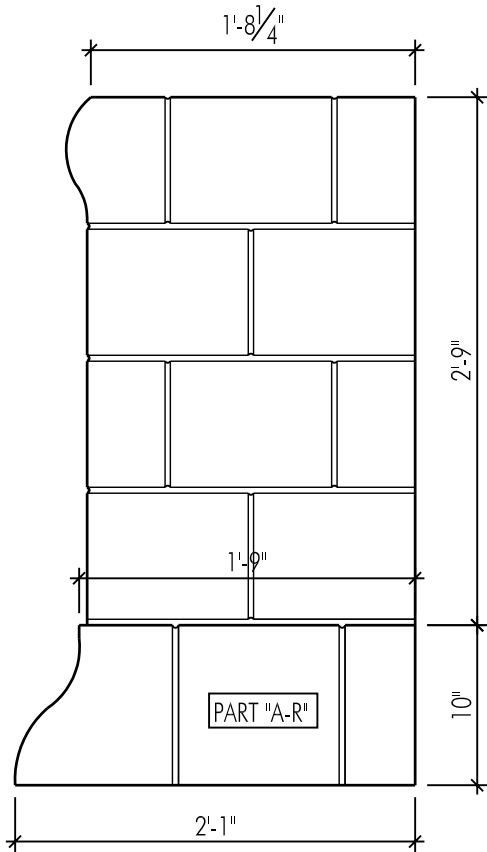
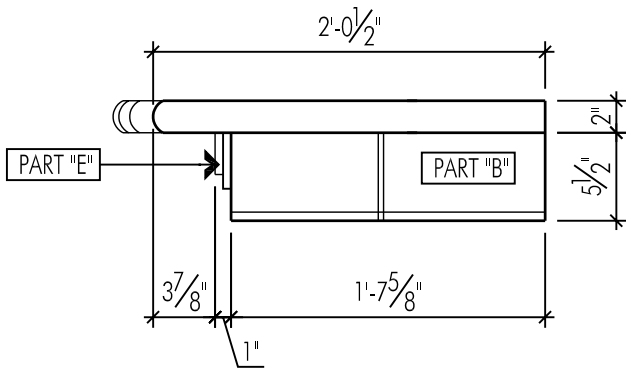
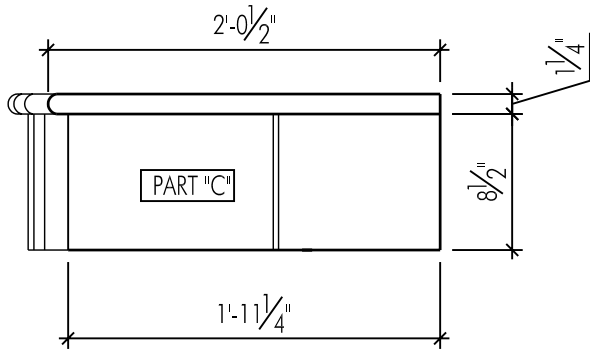


PART "A-L"

PART "A-R"



EXPLODED FRONT ELEVATION VIEWS



EXPLODED SIDE ELEVATIONS VIEWS